

WA45N7150AW

SAMSUNG

5.2 cu. ft., 27" Capacity IEC, Top-Load Washer



Signature Features

5.2 cu. ft. Capacity

- Fewer washes, less time in the laundry room.

VRT Plus™ Technology

- Reduces vibration 40% more than standard VRT™ for quiet washing.*

Built-in Water Jet

- Pre-treat your laundry easily and efficiently.

Available Colour

- White



VRT Plus™ Technology



Built-in Water Jet

Features

- 5.2 cu. ft. Capacity
- VRT Plus™ Technology
- Built-in Water Jet
- Self Clean
- Diamond Drum Design
- EZ Drawer Dispenser
- 800 RPM Maximum Spin Speed
- Stainless Steel Pulsator
- Direct Drive Motor
- 9 Preset Wash Cycles
- 7 Options
- LED Display: Ice Blue
- Door Lid: Chrome Deco Tinted Glass
- Soft-Close Lid

Convenience

- Child Lock
- Delay End
- 5 Temperature Settings
- 4 Spin Settings
- 3 Soil Settings
- Dispenser Trays: Main Wash, Softener, Bleach

* Based on Owens Corning sounds power testing.



ENERGY STAR®-rated:

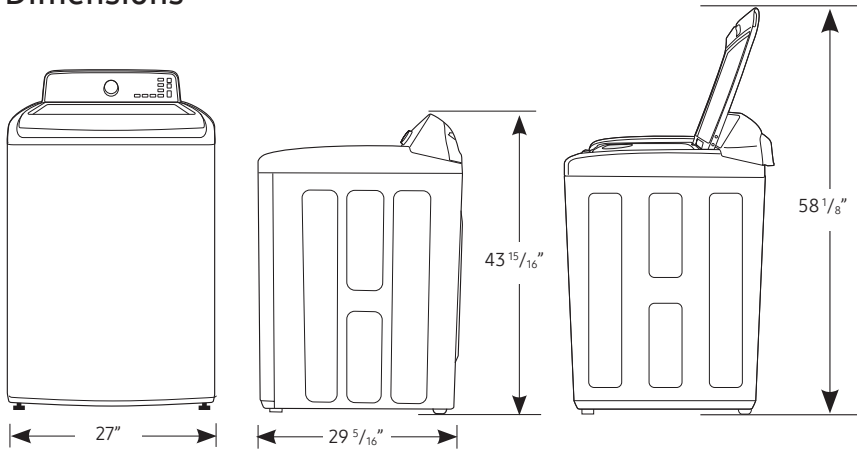
IMEF = 2.06 / IWF = 4.3 / 125 kWh/yr

WA45N7150AW

SAMSUNG

5.2 cu. ft., 27" Capacity IEC, Top-Load Washer

Dimensions



9 Preset Wash Cycles:

- Normal, Bedding/WaterProof, Heavy Duty, Permanent Press, Delicates/Hand Wash, Quick Wash, Rinse and Spin, Spin Only, Deep Wash

6 Options:

- Self Clean, Delay End, Pre Soak, Extra Rinse, Sound On/Off, Child Lock

5 Temperature Settings:

- Hot, Warm, Eco Warm, Cold, Cool

4 Spin Settings:

- High, Medium, Low, No Spin

3 Soil Settings:

- Heavy, Normal, Light

2 Sound Level Settings:

- On/Off

Dispenser Trays:

- Main Wash, Softener, Bleach

Warranty

One (1) Year Parts and Labour

Ten (10) Years on Digital Inverter Motor (Parts)

Product Dimensions & Weight (WxHxD)

Dimensions: 27" x 43 15/16" x 29 5/16"

Weight: 125.7 lbs. (57 Kg)

Shipping Dimensions & Weight (WxHxD)

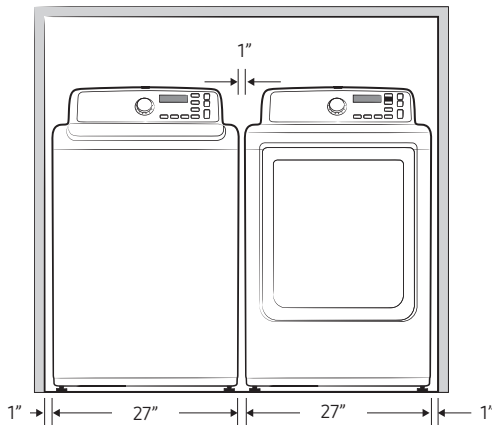
Dimensions: 29 9/16" x 46 1/2" x 31 1/16"

Weight: 136.7 lbs. (62 Kg)

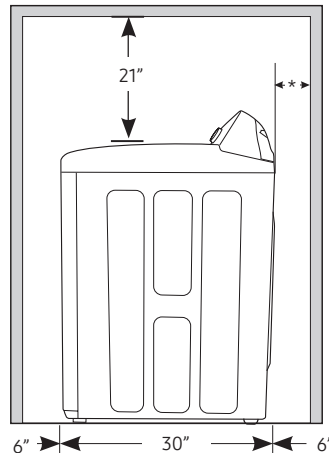
Installation Specifications

Alcove or closet installation

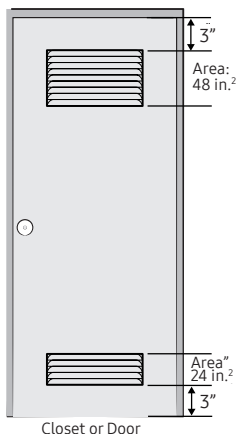
Recessed Area



Side View Confined



Depth including dryer clearance



Minimum clearances for closets and alcoves:

Sides – 1"
Top – 21"
Rear – 6"
Closet Front – 2"

If the washer and dryer are installed together, the closet front must have at least a 72-inch² unobstructed air opening. Your washer alone does not require a specific air opening.

*Required spacing (External exhaust elbow may require additional space).

Electric Washer

White

Model

WA45N7150AW

UPC Code

887276274997

Matching Dryer

White

Model

DV45H7000EW

UPC Code

887276963877